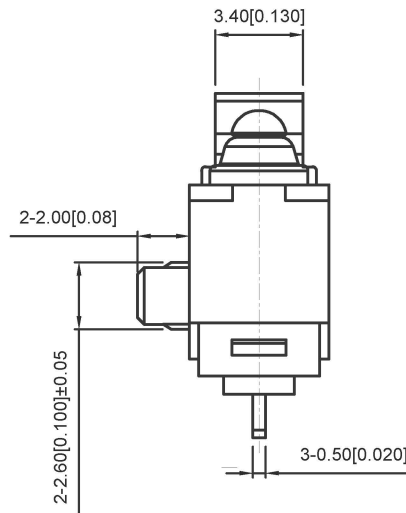
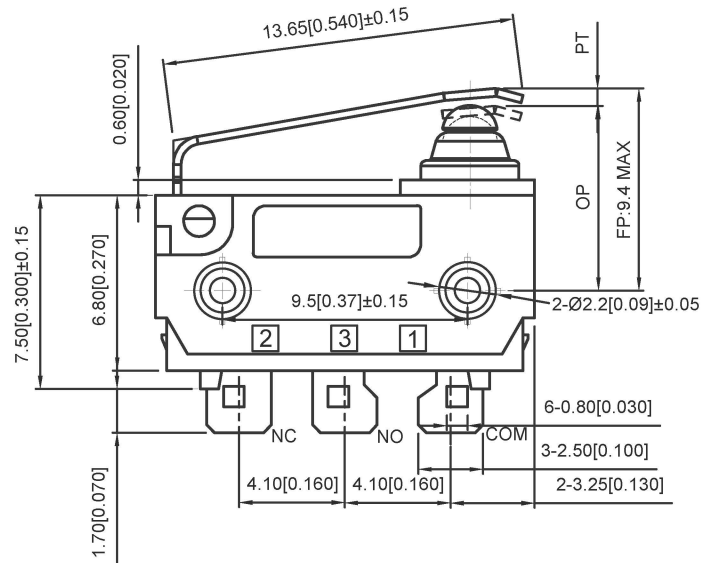
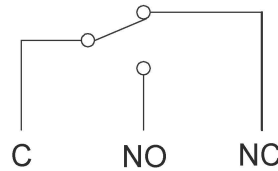


Circuit diagram



Technical Parameters

1. Electrical Rating: 0.1A 125/250VAC  
3A/12VDC; 0.1A/48VDC
2. Electrical lifetime: 100 000
3. Mechanical lifetime: 100 000
4. Contact Resistance: ≤50mΩ
5. Operating force: 2.2N MAX
6. Pretravel: 3.0mm MAX
7. Withstand Voltage: Feet and Feet 500V/5S/5mA  
Feet and Shell 1500/5S/5mA
8. Insulation Resistance: ≥100MΩ (Test Voltage 500VDC)
9. Proof Tracking Index (PTI): 175V
10. Ambient temperature: 40T85°
11. Operation Position: 7.1±0.5

1	Rubber shell	PA66
2	seal ring	Silica gel
3	base	Brass+PA66
4	According to sincerity	POM
5	Contact moving plate	C5191+AgNi10
6	Strut	SUS301-H

Waterproof grade: IP67

广东星坤科技股份有限公司

生	日期	units: mm	DSND	DATE	SCALE: N/A	MODEL TYPE: Microswitch		
ΔX	日期	tolerance: X.X ±0.2mm	DWN	DATE	VIEW:	PART NO.:		
ΔX	日期	X.XX ±0.1mm	CHKD	DATE	UNIT: mm/in	DWG NO.: DF1-1365UNZ-1		
ΔX	日期	X.XXX ±0.05mm	APPD	DATE	SIZE: A4			
MARK	文件工程章	UNSPECIFIED TOLERANCES	XKB INDUSTRIAL PRECISION CO., LIMITED			WEIGHT: 1.0g	SHEET: 1/1	REVISION: A0
DESCRIPTION		DATE	REVISED	APPROVED				
REVISIONS								
www.xk-dg.cn www.helloxkb.com www.helloxkb.cn								